

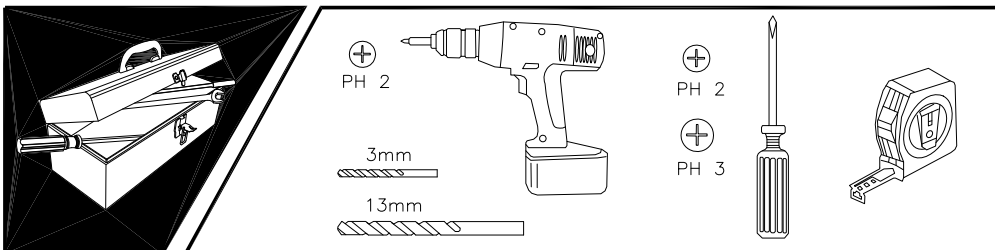
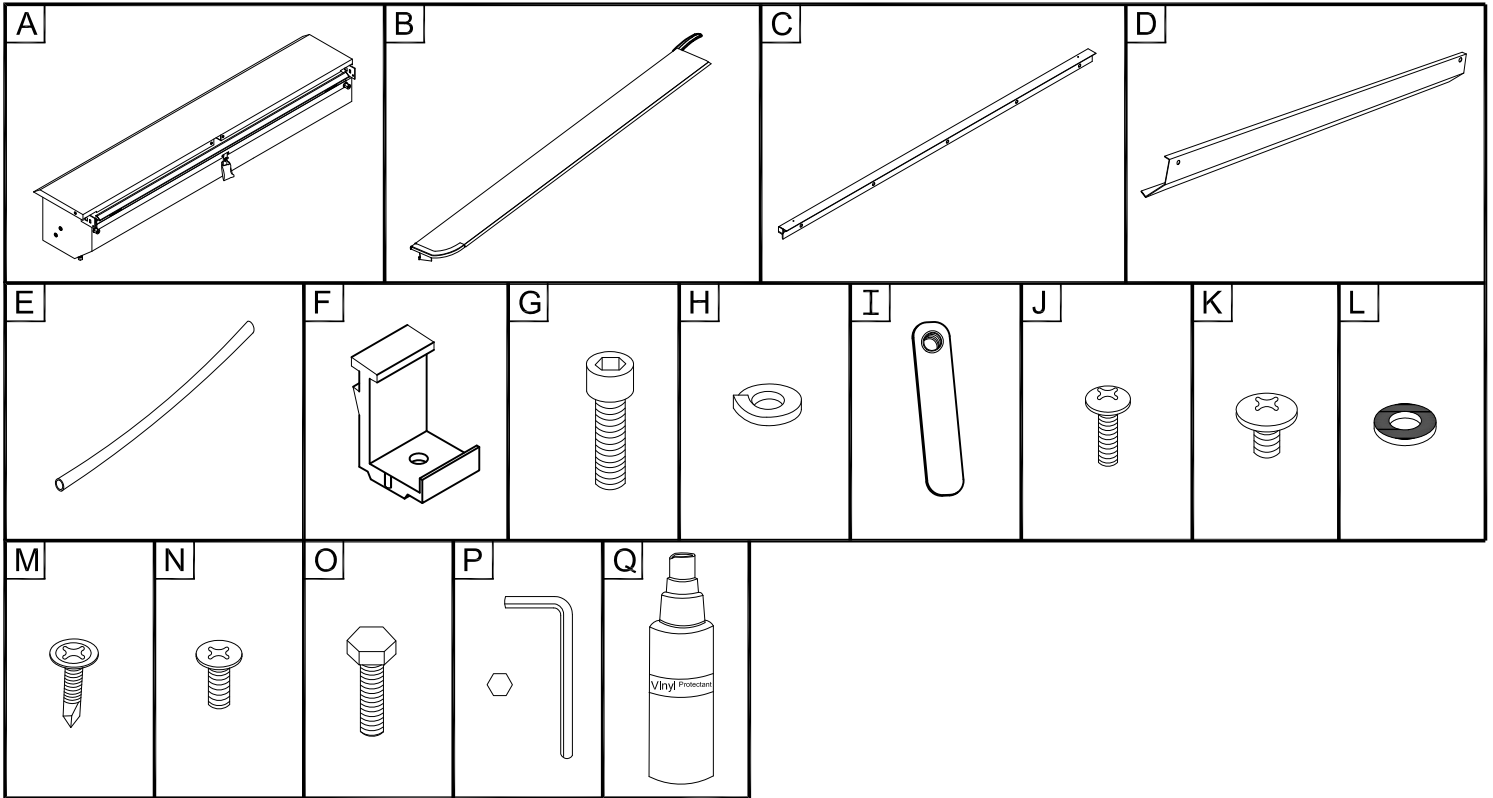
## 2012 ISUZU D-MAX DOUBLE CAB

PRODUCT CODE: LG247M

<b>GB</b>	ROLL-N-LOCK Tonneau Cover	<b>NO</b>	ROLL-N-LOCK Tonneau Cover
<b>BG</b>	ROLL и LOCK Tonneau Cover	<b>PL</b>	ROLKI N-LOCK Tonneau Cover
<b>HR</b>	Roll i LOCK pokrovom	<b>PT</b>	ROLO E FECHADURA COBERTURA DE TONNEAU
<b>CZ</b>	ROLL a LOCK kryt zavazadlového prostoru	<b>RO</b>	ROLL și de a bloca Tonneau Cover
<b>DK</b>	ROLL-N-LOCK Tonneau Cover	<b>RU</b>	РУЛОН И ПОКРЫТИЕ TONNEAU ЗАМКА
<b>NL</b>	BROODJE-N-SLOT de Dekking van Tonneau	<b>SK</b>	ROLL A LOCK kryt batožinového priestoru
<b>FI</b>	RO-N-LOCK Tonneau kanssi	<b>SI</b>	ROLL IN LOCK Tonneau Cover
<b>FR</b>	ROULEAU ET LOCK Tonneau Cover	<b>ES</b>	RUEDE y la CERRADURA Tonneau Cubieta
<b>DE</b>	ROLLEN sie und SCHLOB Tonneau Kappe	<b>SE</b>	ROLL-N-LOCK Tonneau Täcker
<b>GR</b>	Κάλυψη Tonneau ρόλος-κλειδαριών	<b>TR</b>	RULO-N-LOCK Tonneau Kapak
<b>HU</b>	ROLL és LOCK platófedél	<b>UA</b>	ROLL i замок кришки Tonneau
<b>IS</b>	Rúlla og Læsa Tonneau Kápa	<b>AR</b>	كفول لمشش امك tonneau نيب خان لا
<b>IT</b>	ROTOLO e SERRATURA Tonneau Coperta	<b>IL</b>	לור-N-לענ- לש רעש דומעע Tonneau

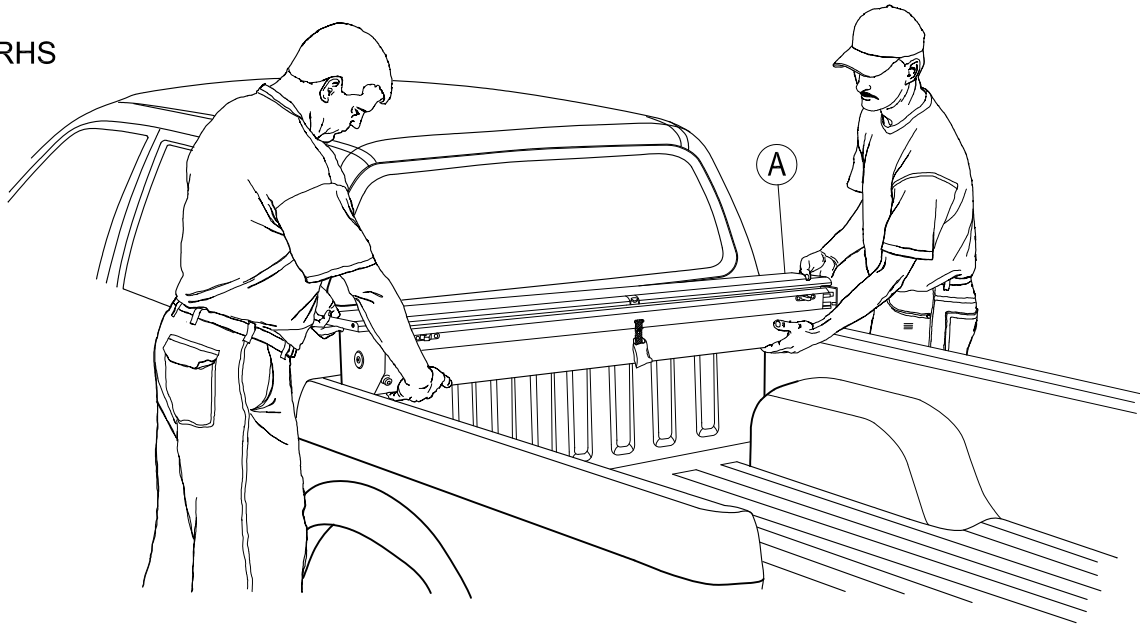
## PARTS LIST

Item	Part Name	Qty.	Item	Part Name	Qty.	Item	Part Name	Qty.
A	Housing	1	G	5/16" Socket Cap Screw	6	M	#8 Tek Screw	5
B	Track	2	H	5/16" Lock Washer	6	N	Flat Head Lid Screw	2
C	Tailgate Extrusion	1	I	Cargo Nut	2	O	1/4-20 x 1" Bolt	2
D	Cargo Shield	1	J	#10-24 Screw	2	P	Allen Wrench	1
E	Drain Tube	2	K	1/4-20 x 3/8" Screw	4	Q	Vinyl Protectant	1
F	(U) Bed Clamp	6	L	Black Rubber Washer	4			



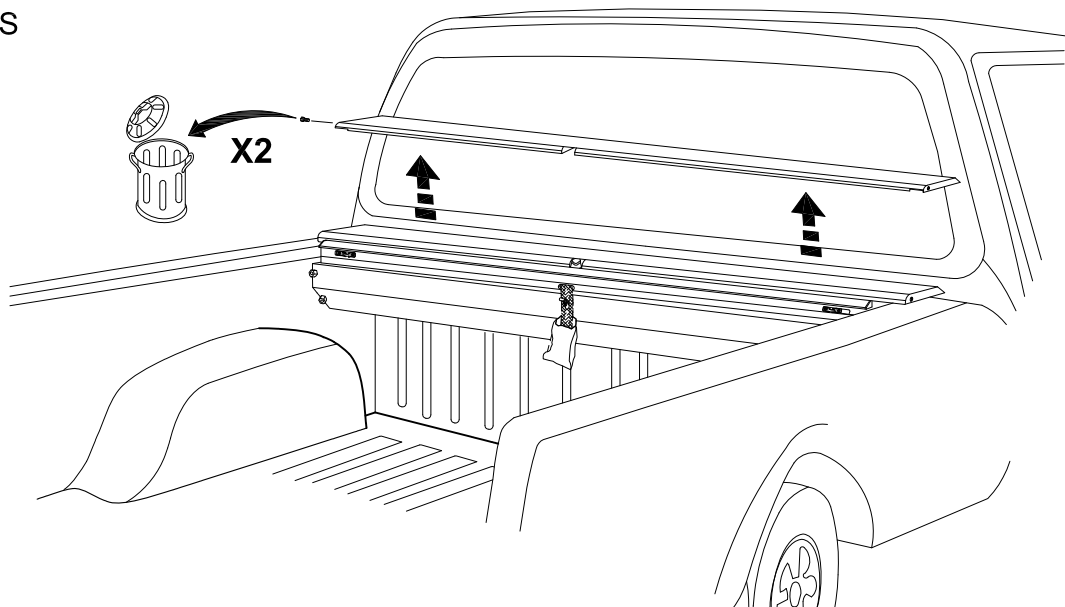
1

LHS = RHS

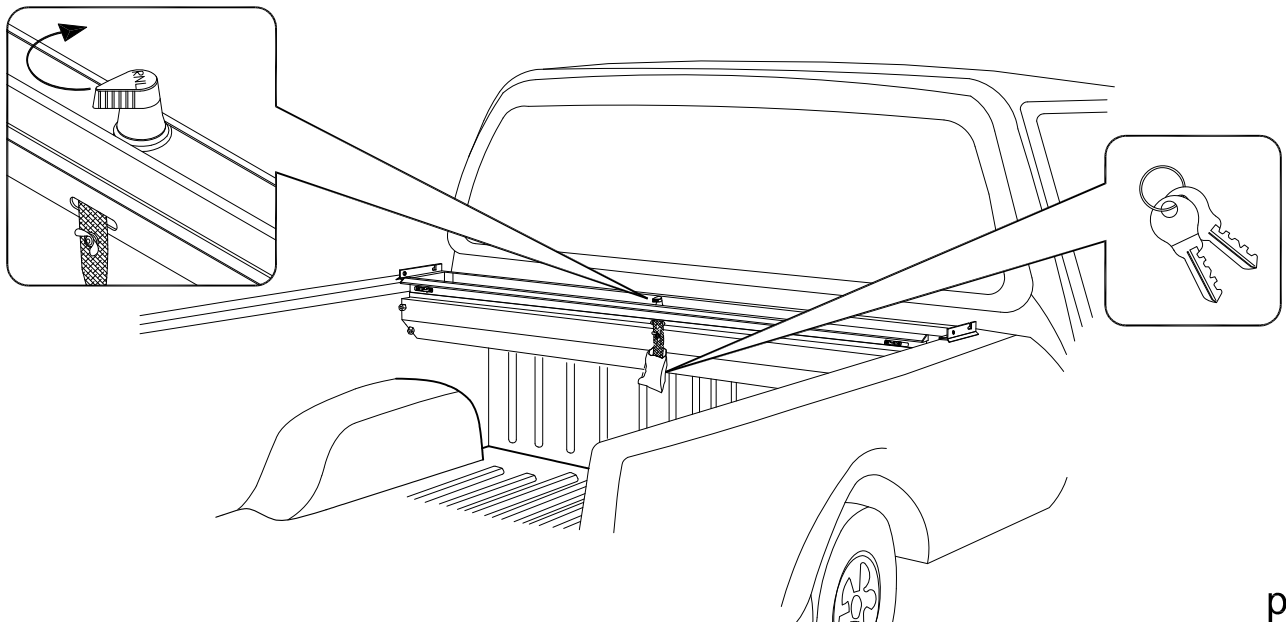


2

LHS = RHS

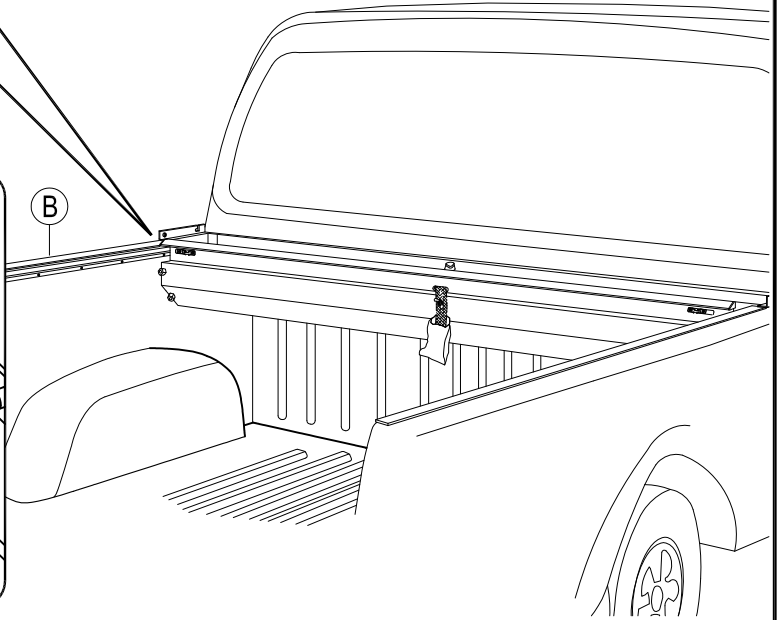
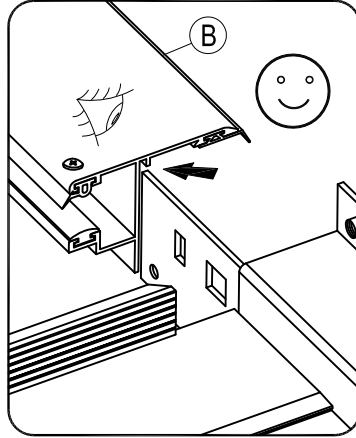
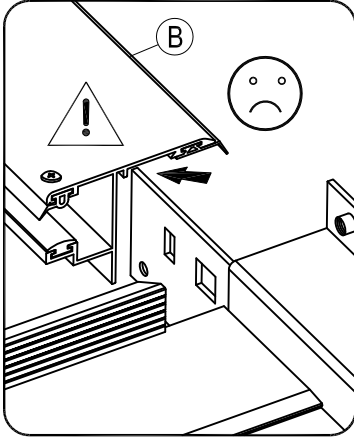
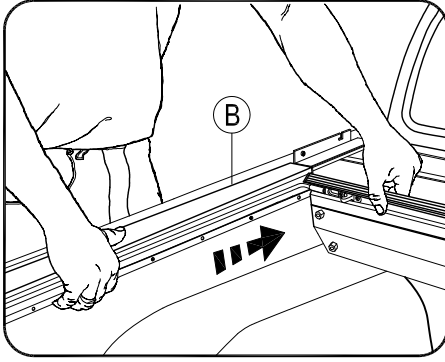


3



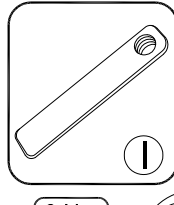
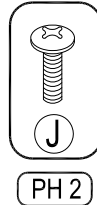
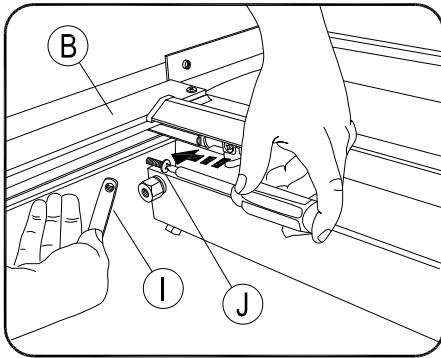
4

LHS = RHS



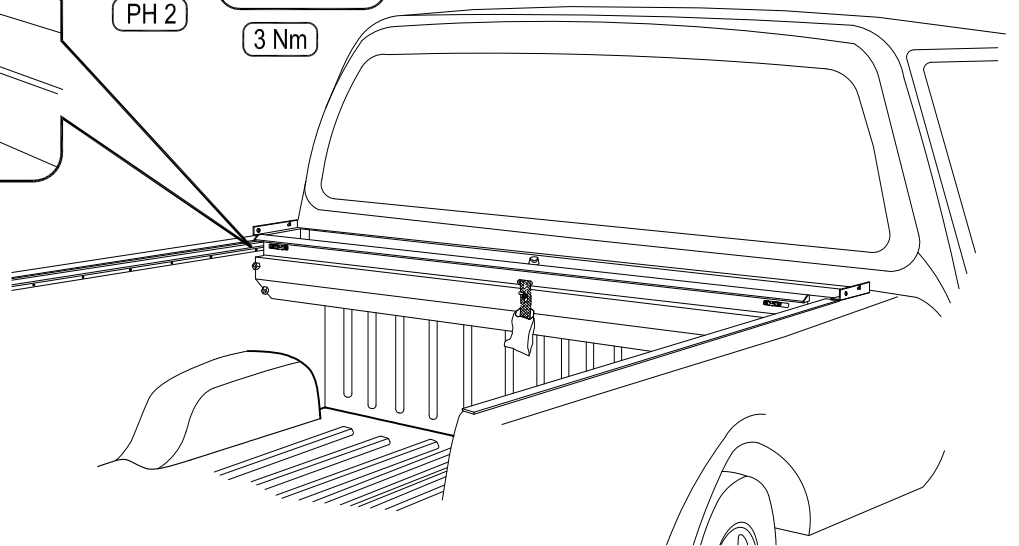
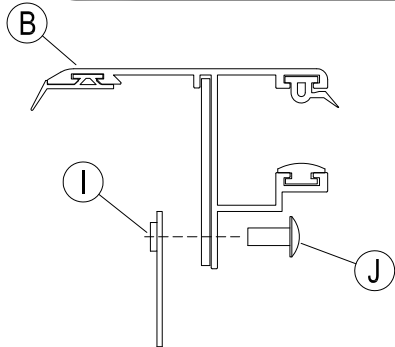
5

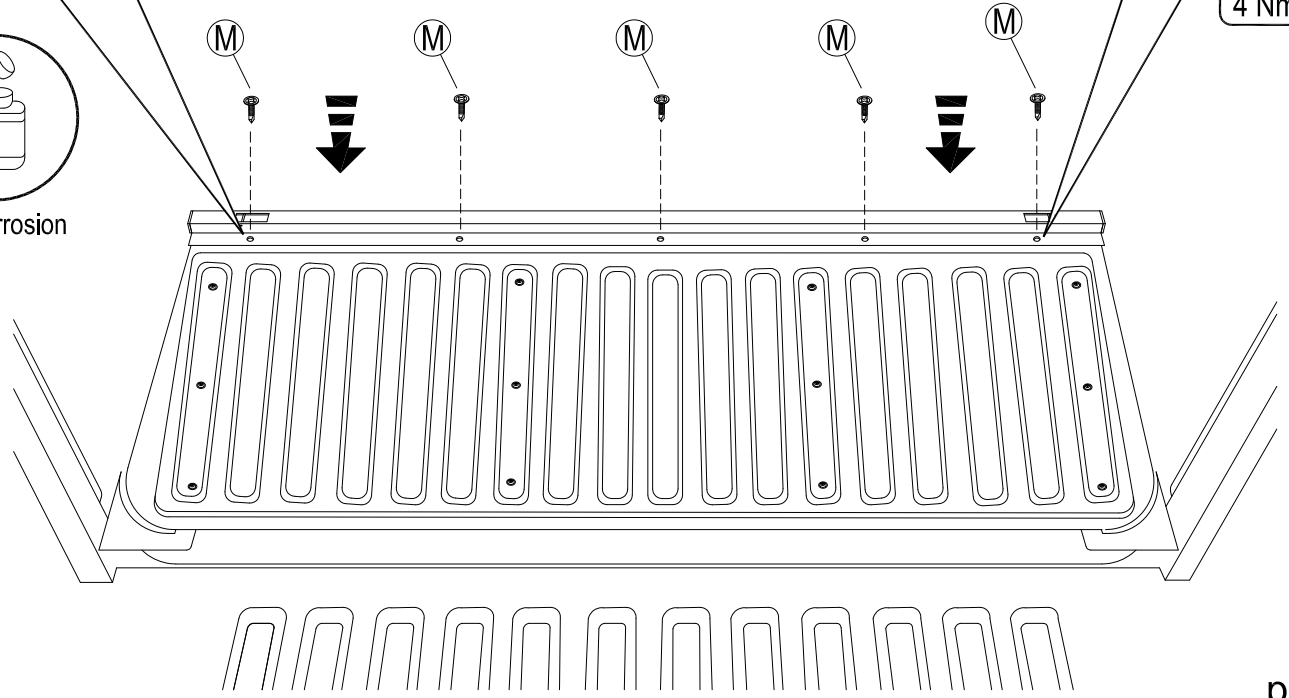
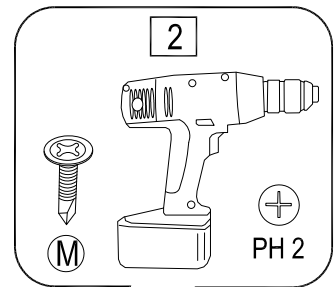
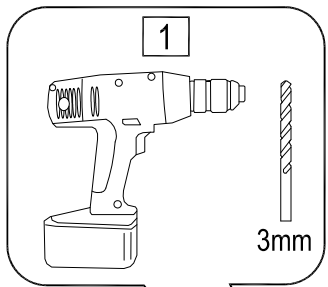
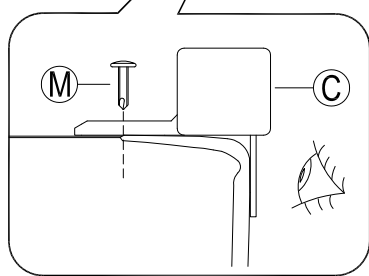
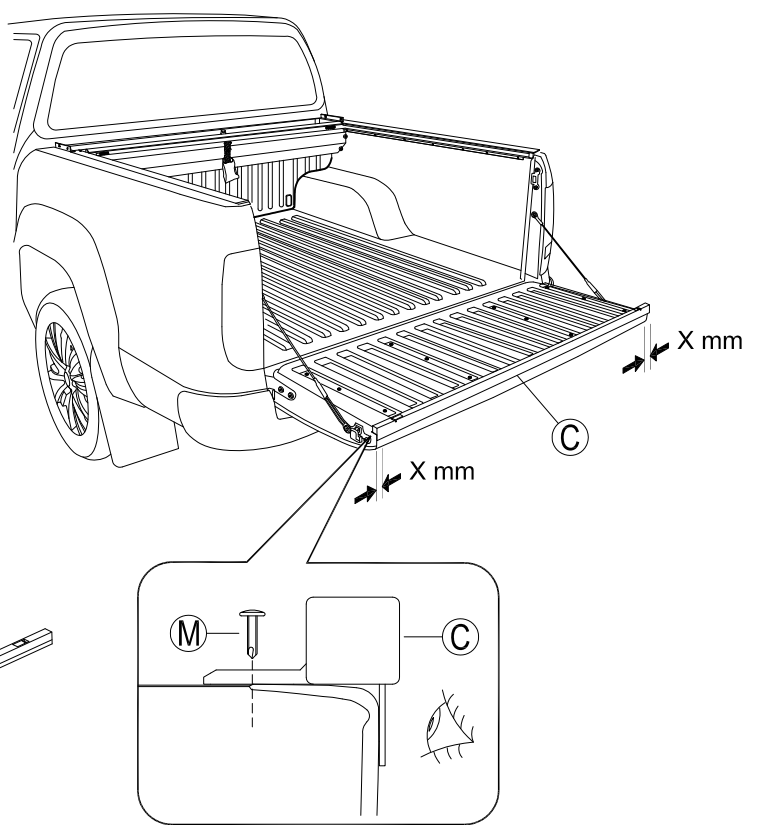
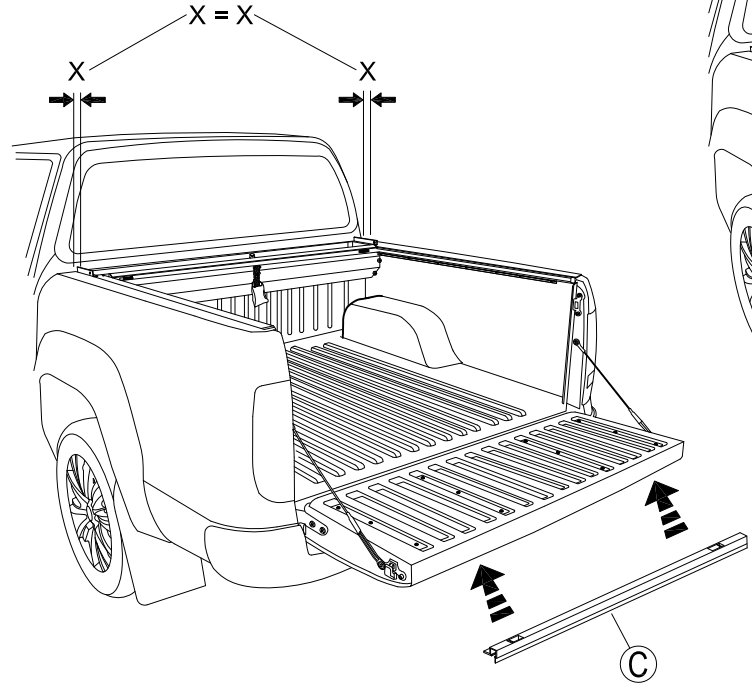
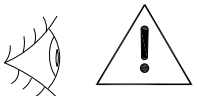
LHS = RHS



PH 2

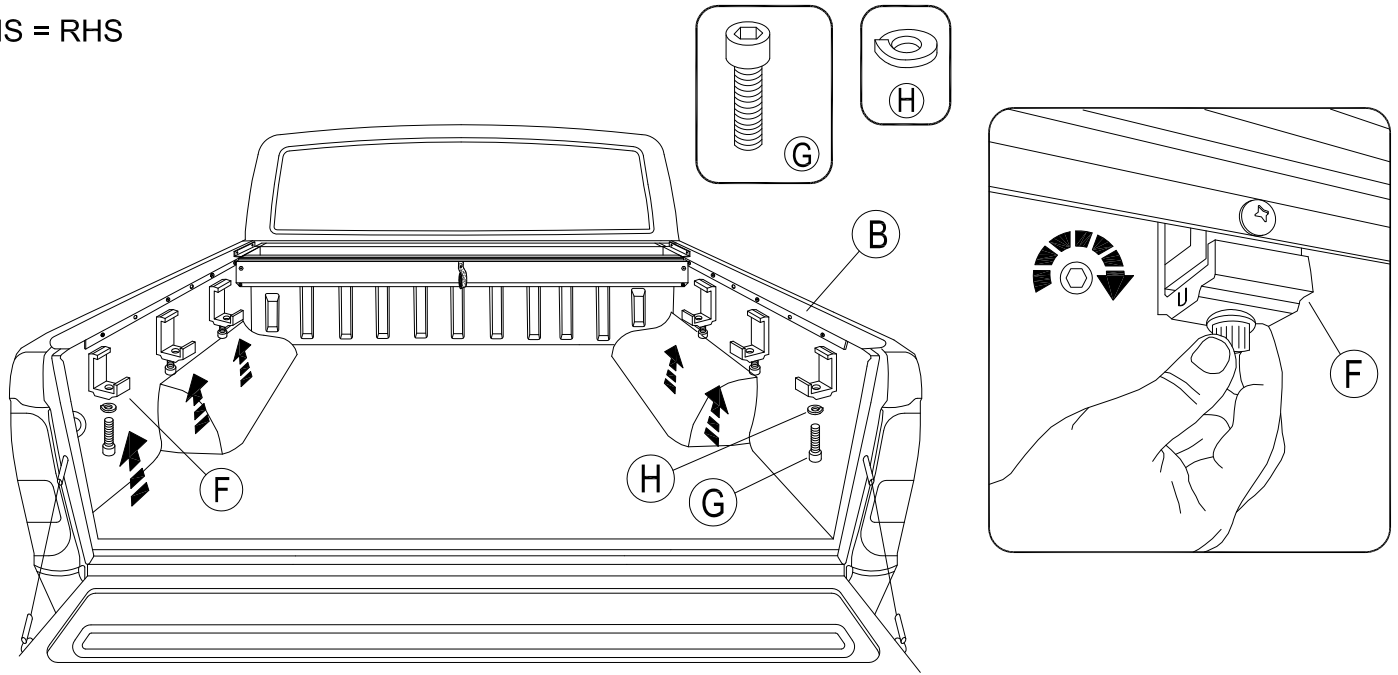
3 Nm





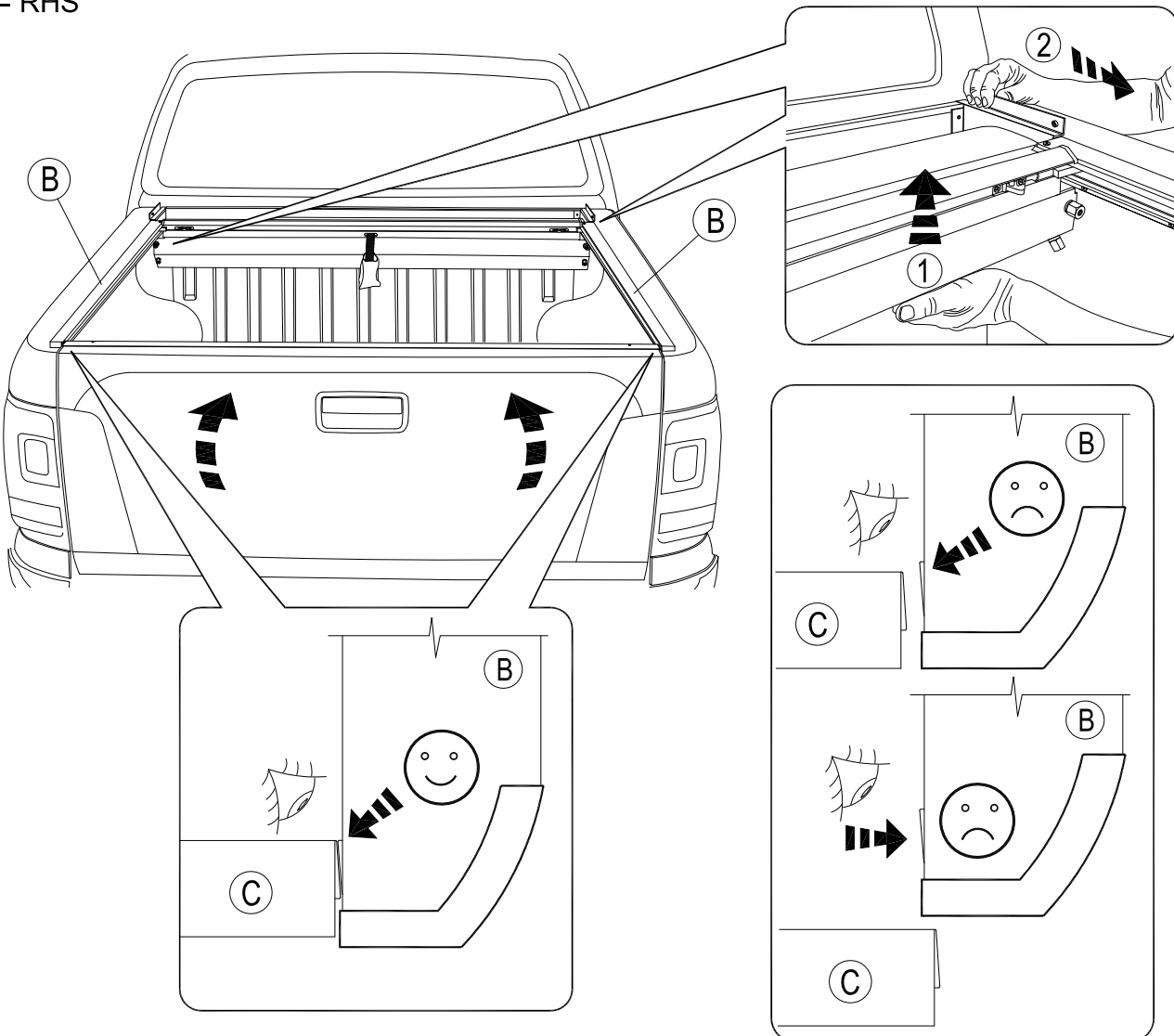
7

LHS = RHS



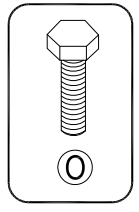
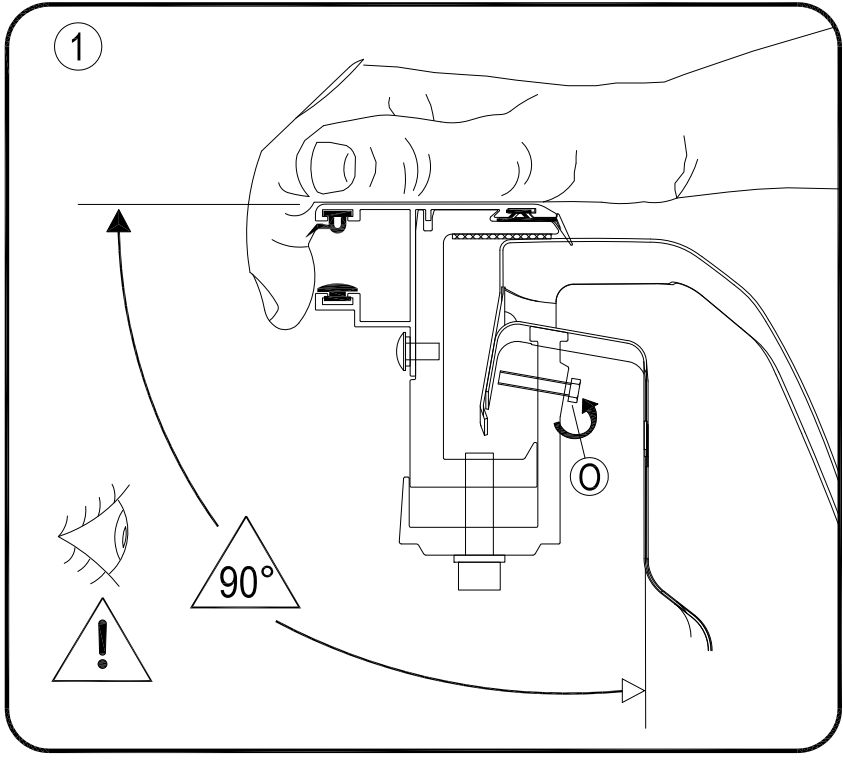
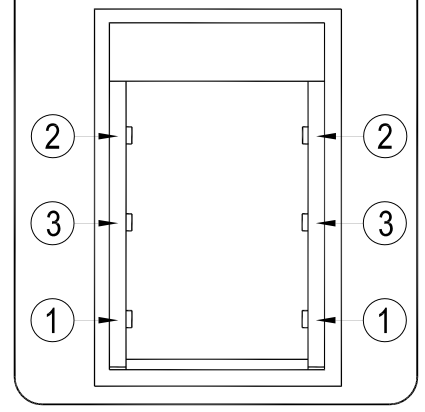
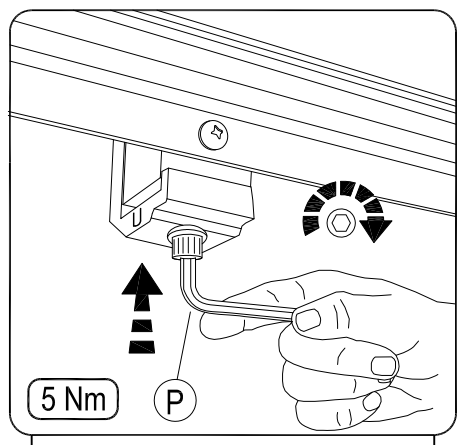
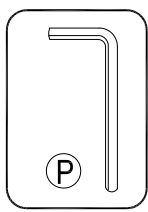
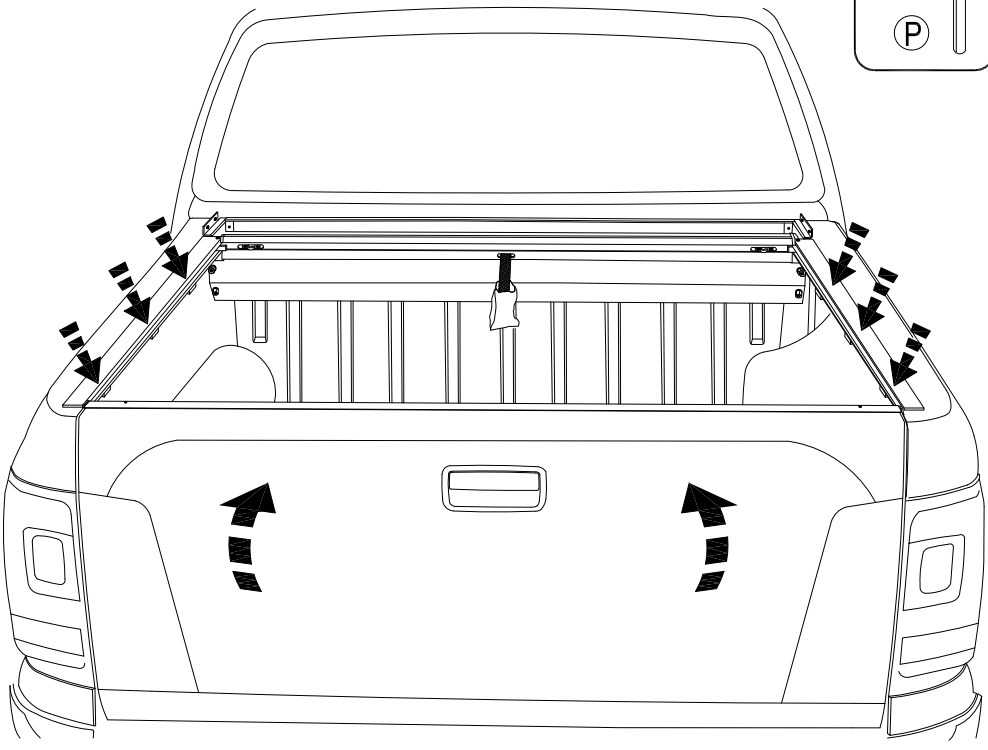
8

LHS = RHS

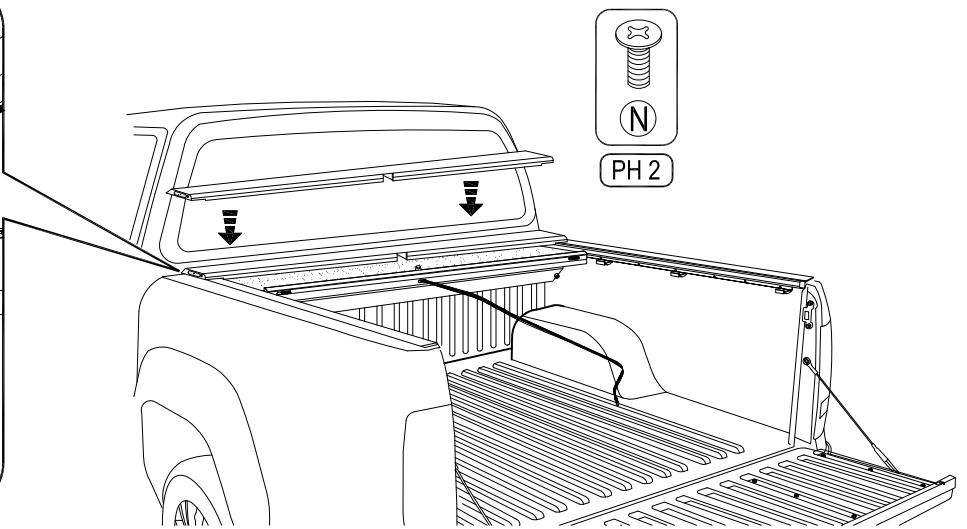
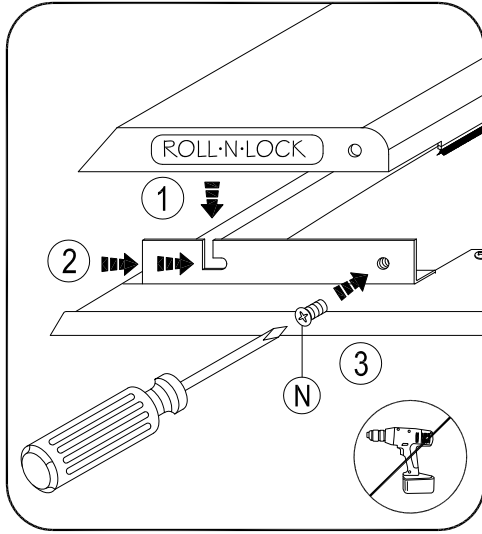
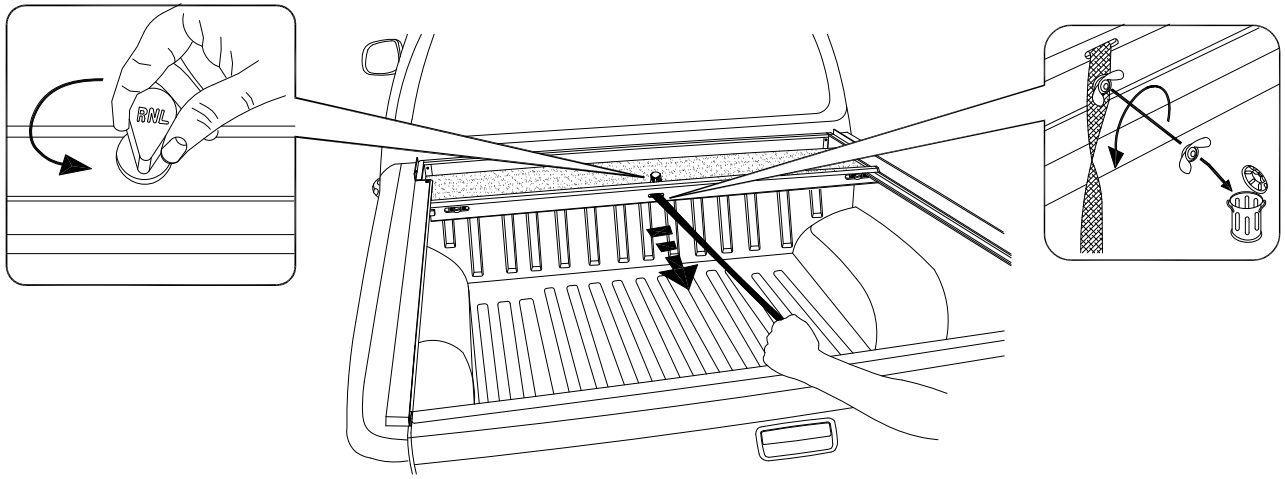


9

LHS = RHS

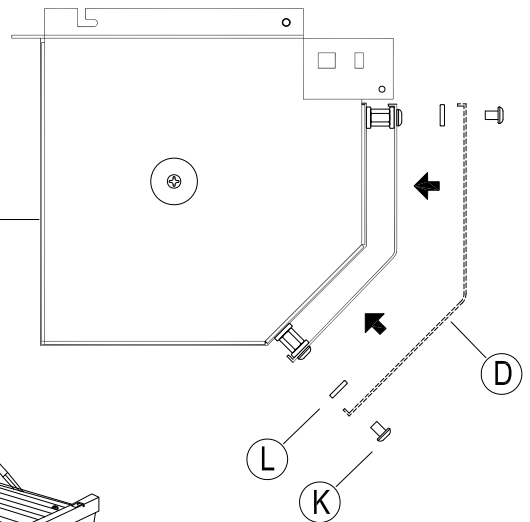
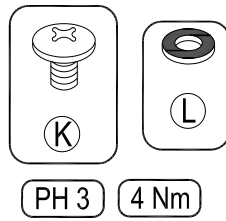
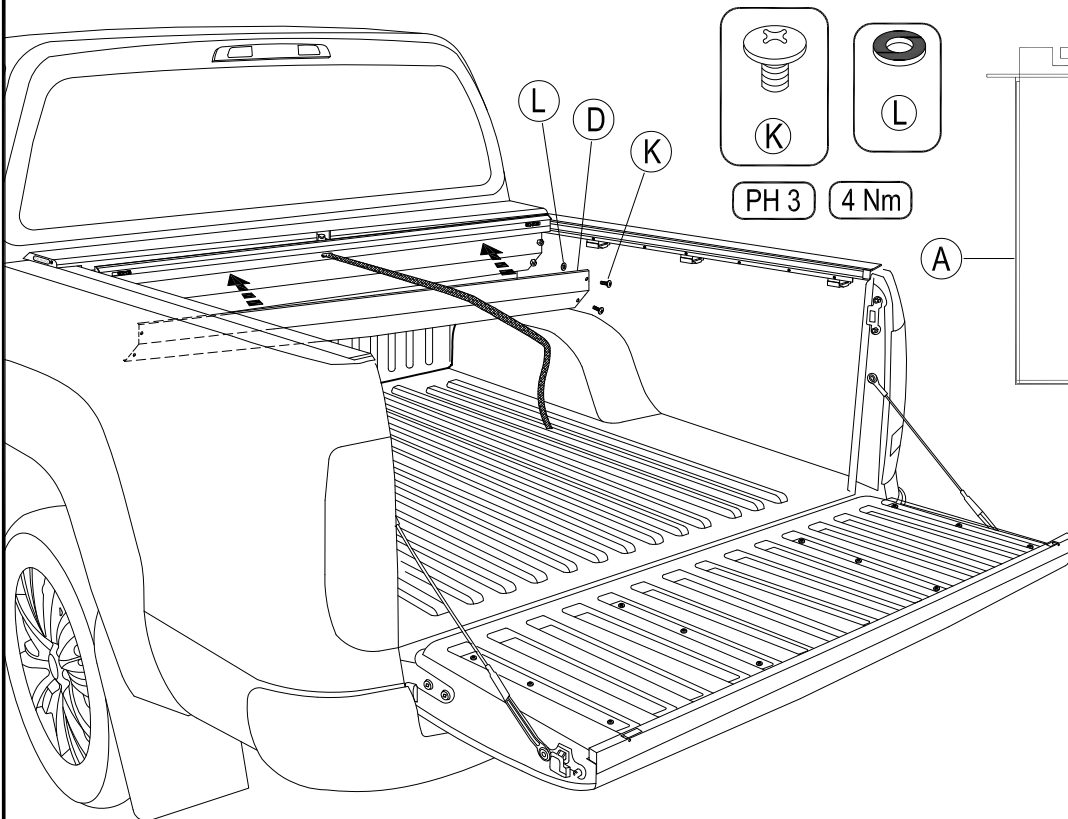


10



11

LHS = RHS





LHS = RHS

