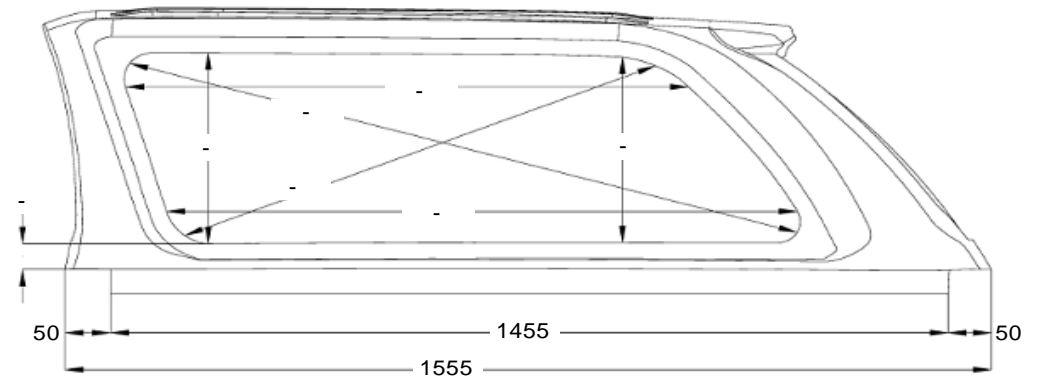
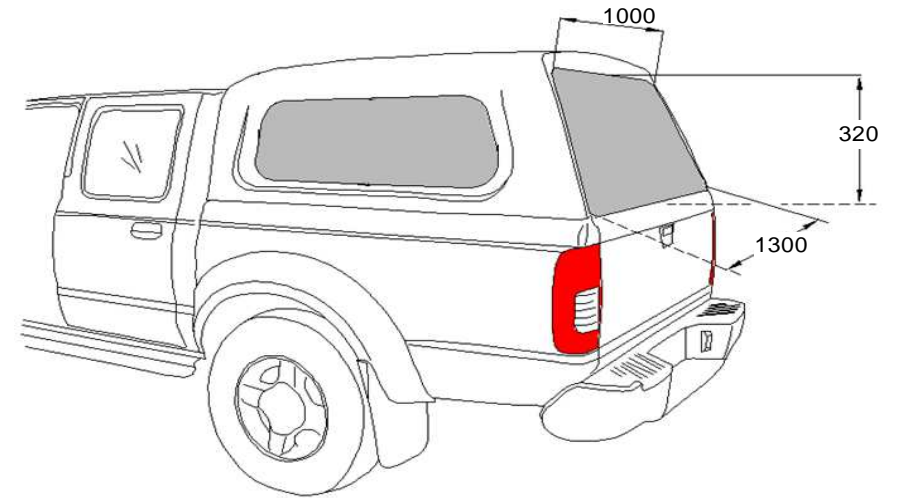


Net weight: 35,00 kg
 Gross weight: 62,00 kg
 Volume: 2 m³



20 x 10 x 5000 GKS ECONOMY - 1,5 m
 100 - 3 m