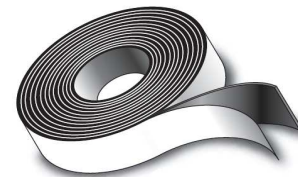
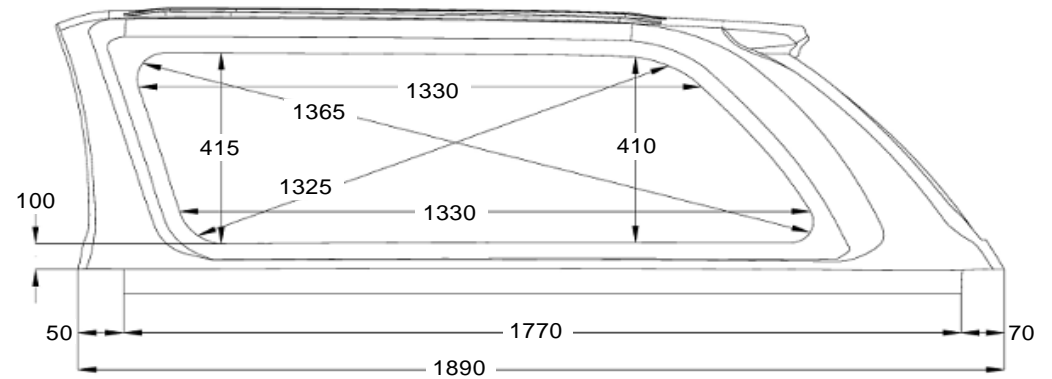
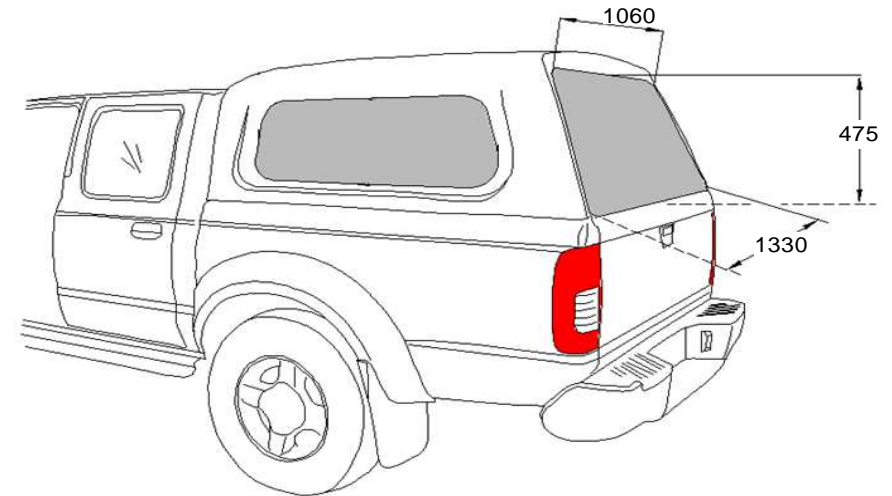


Net weight: 82,00 kg
 Gross weight: 117,00 kg
 Volume: 2,55 m³



20 x 10 x 5000 GKS ECONOMY - 1,65 m
 7 X 30 X 10000 A/60/PT3 PE-L - 4 m