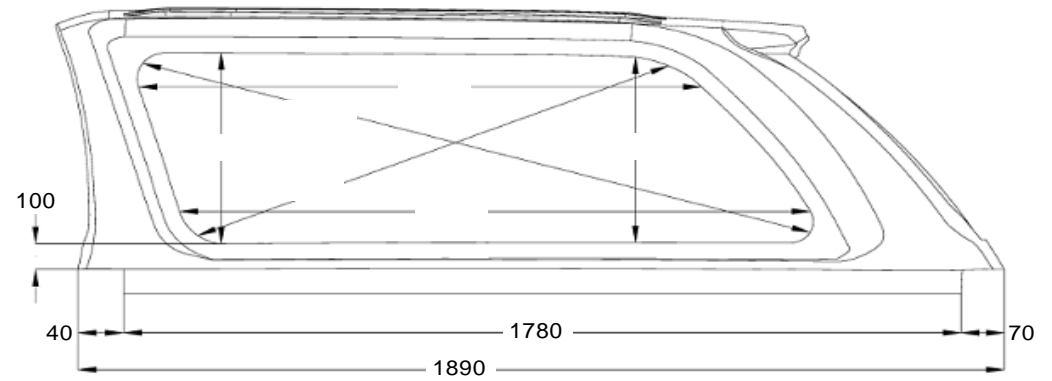
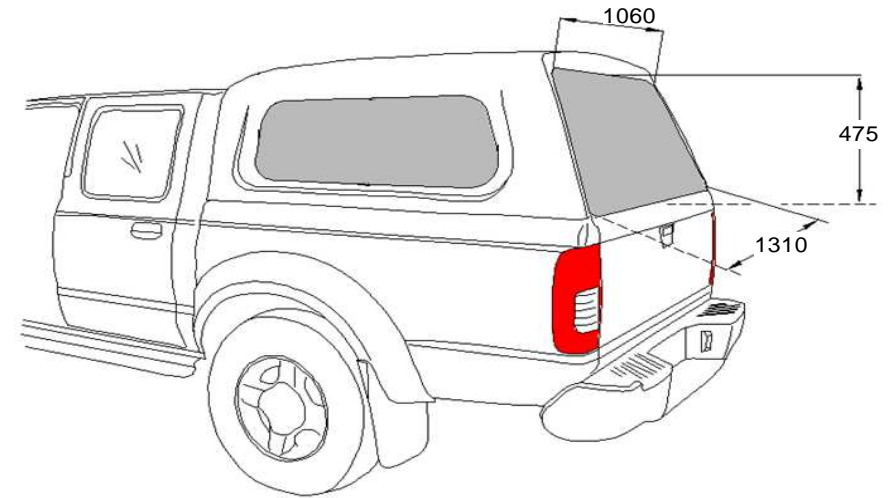


Net weight: 76,00 kg
 Gross weight: 111,00 kg
 Volume: 2,55 m³



20 x 10 x 5000 GKS ECONOMY - 3 m
 7 X 30 X 10000 A/60/PT3 PE-L - 5 m