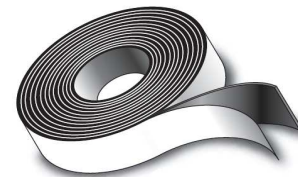
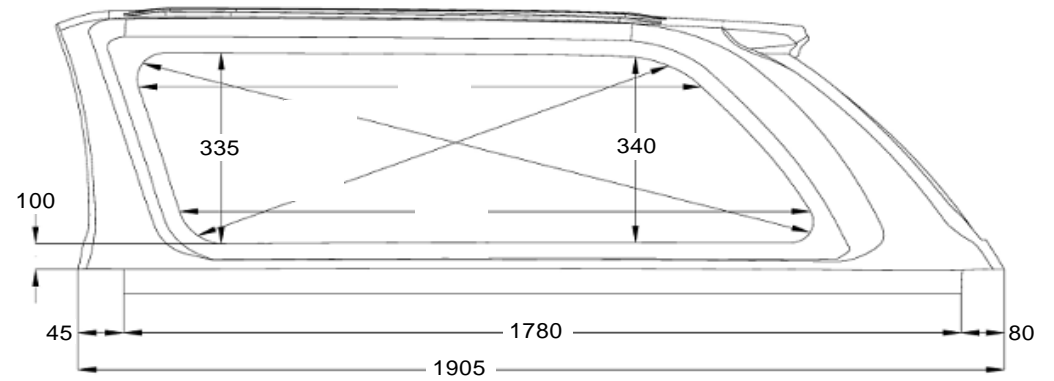
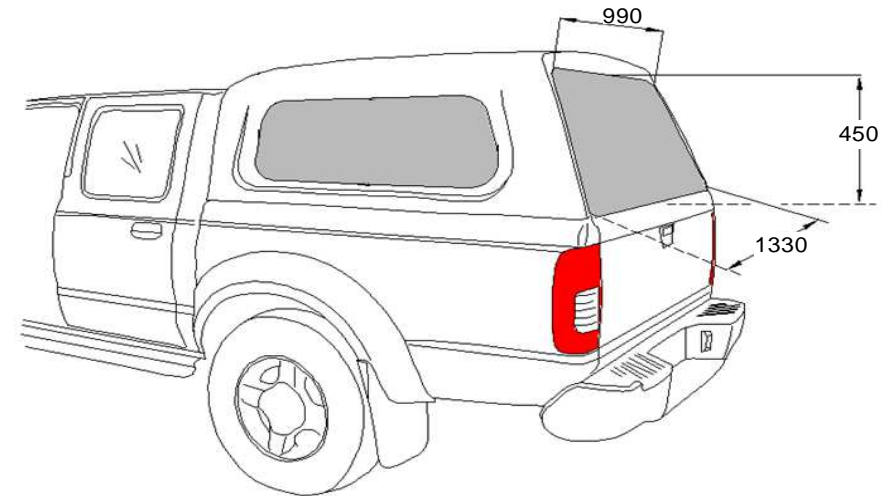


Net weight: 80,00 kg
 Gross weight: 110,00 kg
 Volume: 2,55 m³



20 x 10 x 5000 GKS ECONOMY - 1,5 m
 100 - 3 m