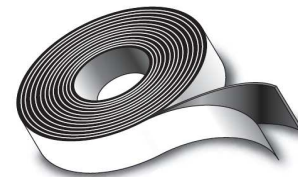
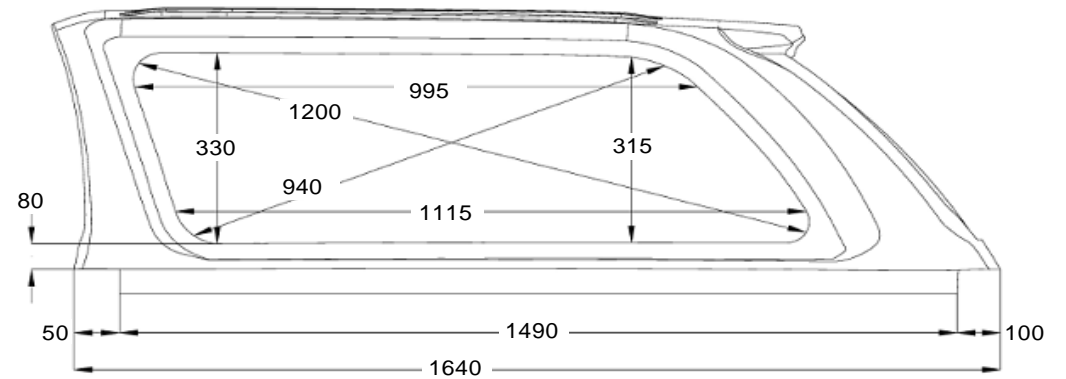
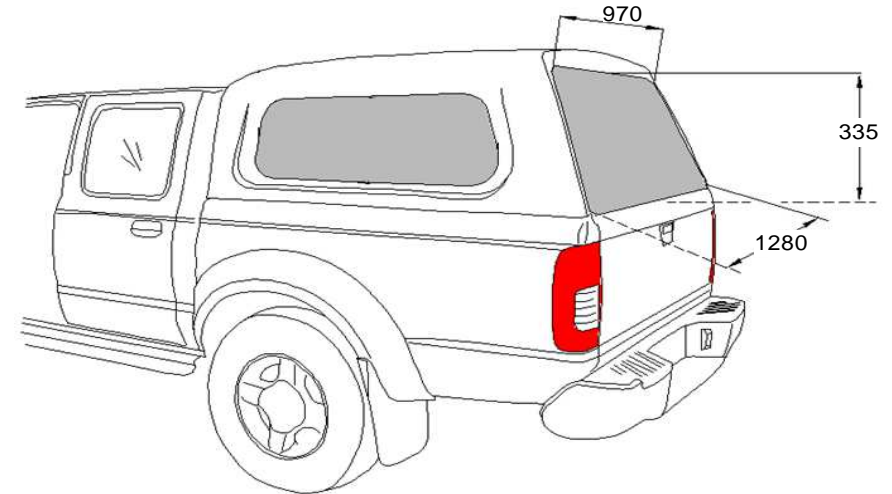


Net weight: 75,00 kg
 Gross weight: 105,00 kg
 Volume: 2,34 m³



10 X 40 X 10000 GKS ECONOMY - 3 m
 20 x 10 x 5000 GKS ECONOMY - 1,5 m