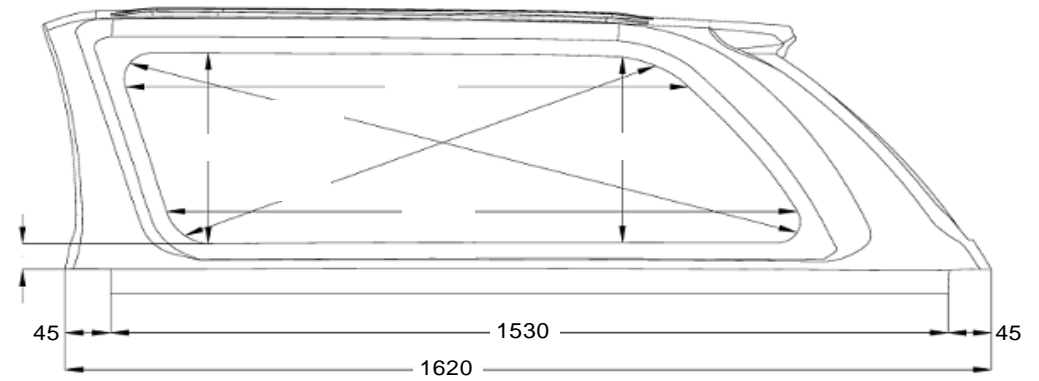
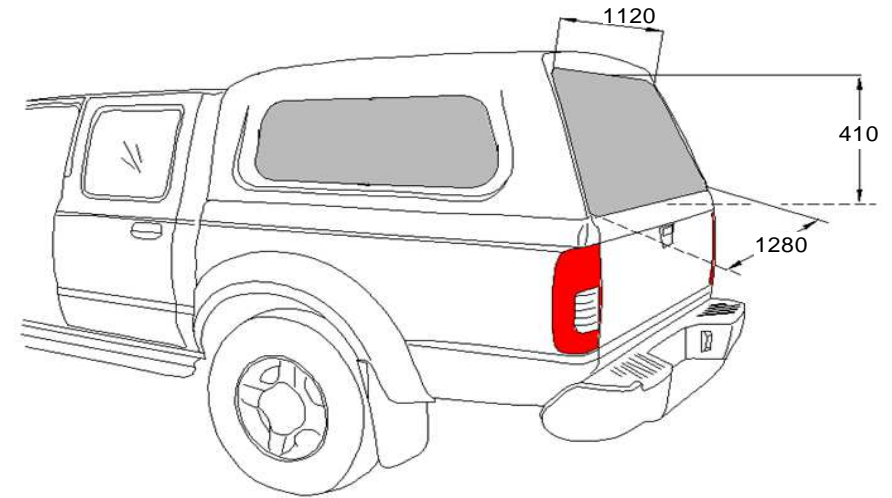


Net weight: ,00 kg
 Gross weight: ,00 kg
 Volume: 2,26 m3



20 x 10 x 5000 GKS ECONOMY - 1,7 m
 7 X 30 X 10000 A/60/PT3 PE-L - 3,2 m