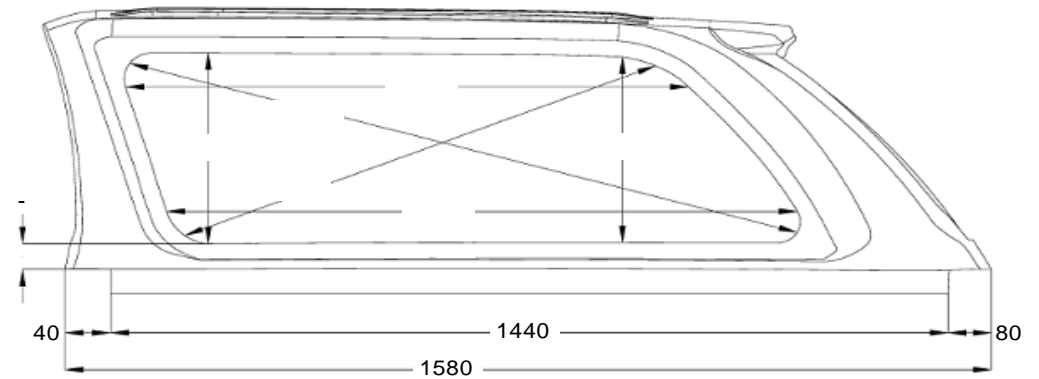
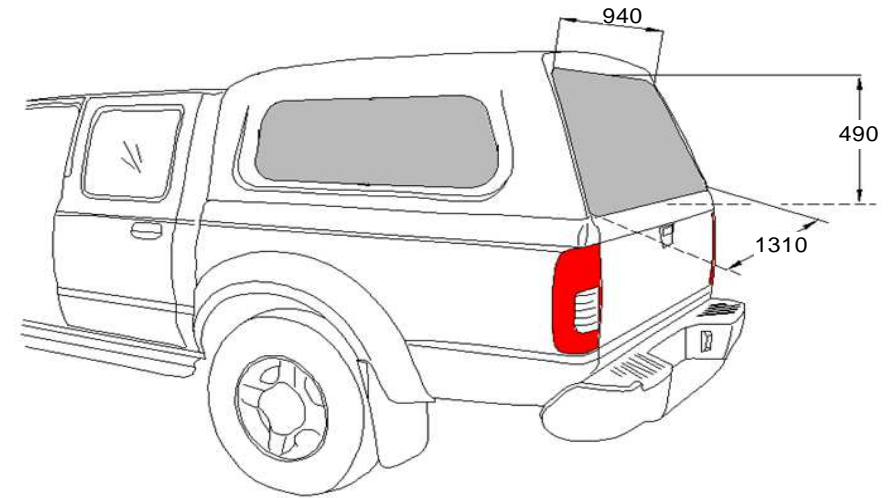


Net weight: 53,00 kg
 Gross weight: 67,00 kg
 Volume: 2,27 m³



20 x 10 x 5000 GKS ECONOMY - 1,65 m
 7 X 50 X 10000 A/60/PT3 PE-L - 3,3 m