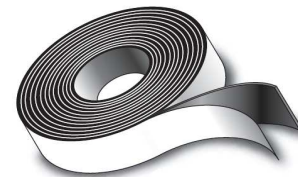
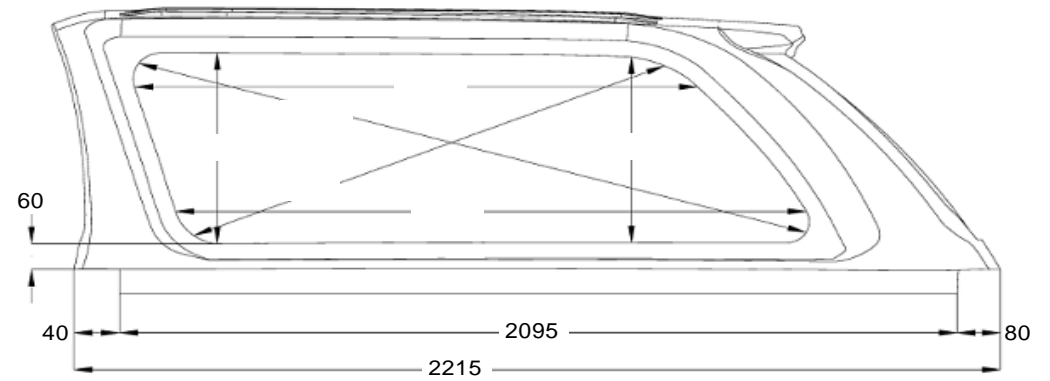
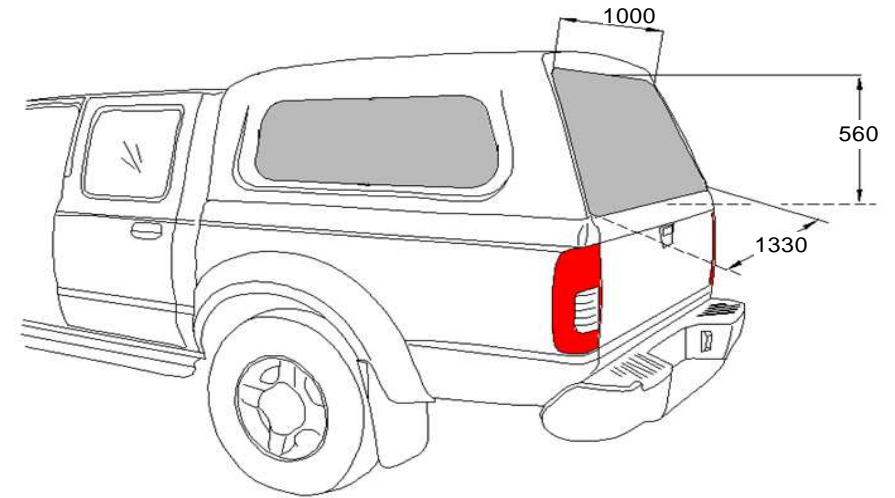


Net weight: 75,00 kg
 Gross weight: 137,00 kg
 Volume: 3,68 m³



100 - 1,75 m
 7 X 70 X 10000 A/60/PT3 PE-L - 5 m